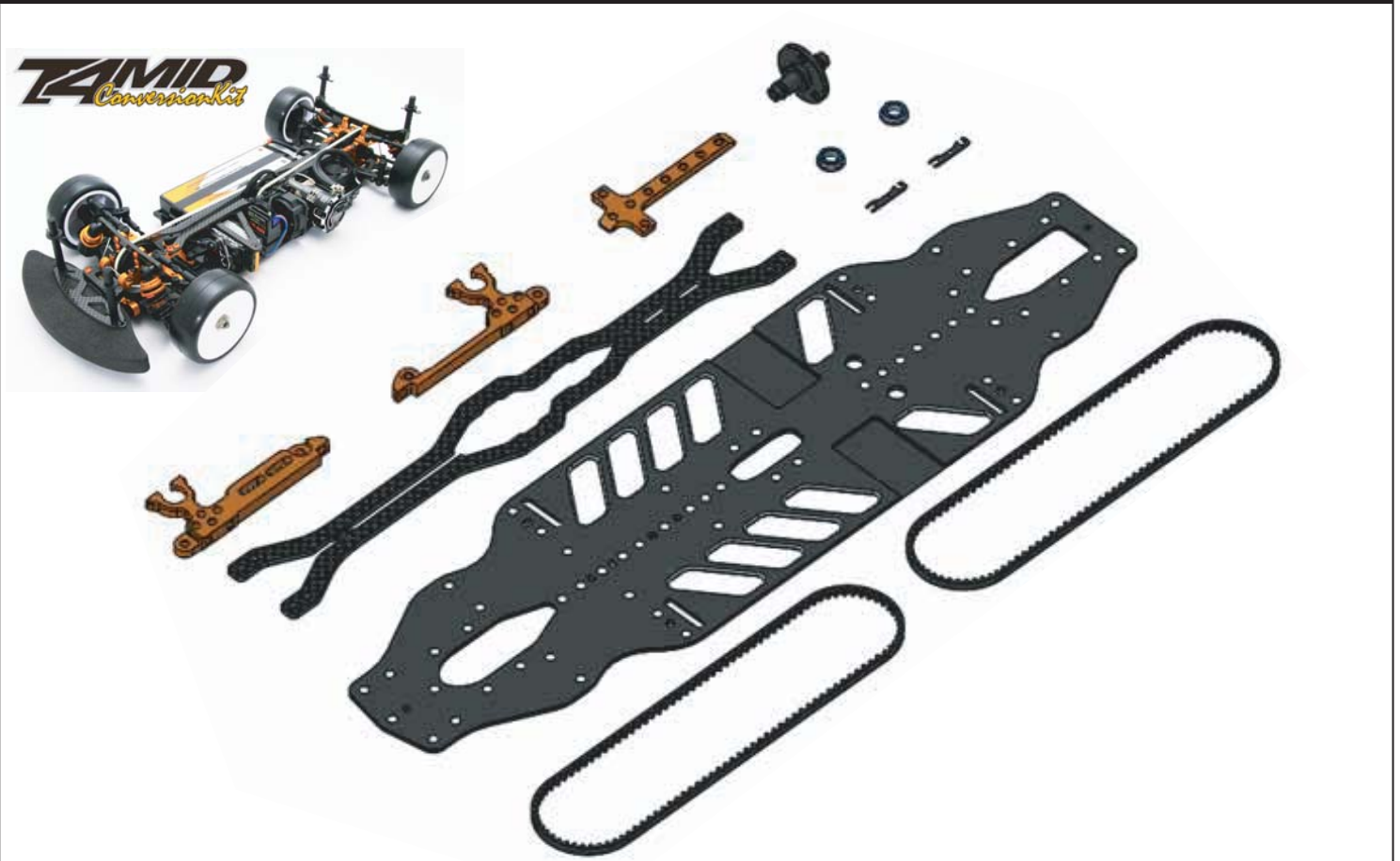


ZT1101 MID Conversion Kit with ALU Chassis (for XRAY T4 '17 ~ '19)



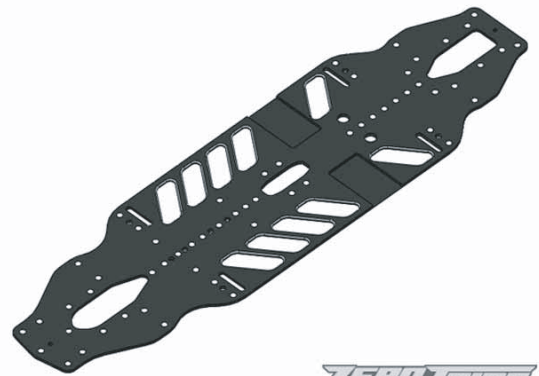
This product is a conversion kit based on XRAY T4 '17 ~ '19. The purpose of the development is to reduce the time lag during throttle operation as much as possible by eliminating the belt front-back difference and to facilitate operation.

As a result, the motor is laid out in the center, and a well-balanced midship layout can be realized.

We would like to inform you that a limited edition of the newly developed ZT1083 Aluminum Chassis Flex 2.0mm Chassis and the ZT1080 Carbon Upper Deck 2.0mm Narrow Type will be sold as standard.

We also accept orders for aluminum chassis flex 2.0mm.

This kit is a conversion kit.  
 You will need XRAY T4 ('17 to '19), a complete set of RC equipment, body, tires, batteries, etc. by the time you drive.  
 The image is a prototype, equipped with optional parts.  
 Please note that the specifications are subject to change without notice.



JAN	PartNumber	PartName	Price(JPY)	QTY
4580012610832	ZT1083	ALU Flex Chassis 2.0mm(for T4 MID Conversion Kit)	11000	
4580012611013	ZT1101	MID Conversion Kit with ALU Chassis (for XRAY T4 '17~'19)	26800	

Shop name